



GripLoc™ PVC & CPVC

Push-On Couplings & Repair Couplings

GLPC-2NP-1114



PVC



CPVC

Push-On Coupling



Repair Coupling

Repair Coupling

Push-On Coupling

GripLoc™ PVC White & PVC Gray,
Push-On Couplings
For Cold Water Exterior Use Only

GripLoc™ CPVC Push-On
Expansion Joint & Repair Coupling
For Hot and Cold Water



NSF® Certified
Lead-Free

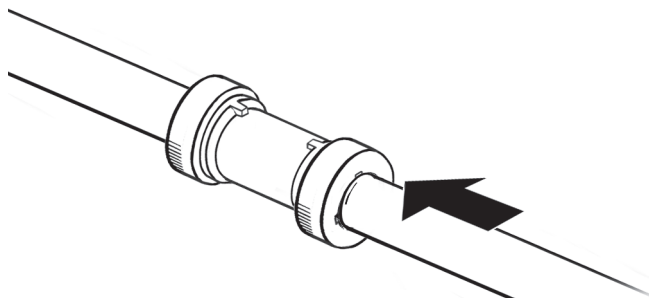
Solutions for PVC & CPVC Piping Systems...

Permanent Leak-Free Connections

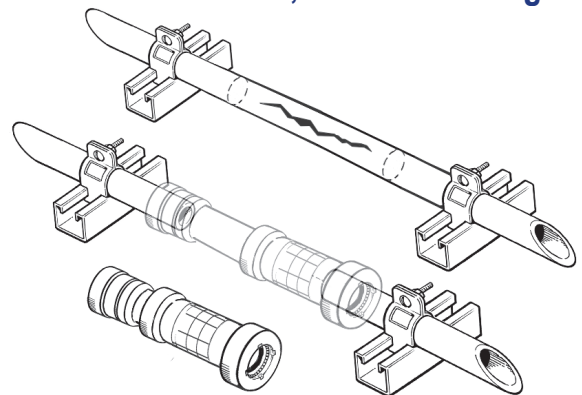
Excellent for Quick Repairs & System Extensions

Uses NO Solvent Cement - Eliminates System Downtime!

- ✓ Stainless Steel Gripper Ring Permanently Holds Pipe Joint in Place
- ✓ Internal High Grade EPDM O-ring Seals Provides Permanent, Reliable Sealing



Extension of Existing System.
(No Thrust Blocking Required)



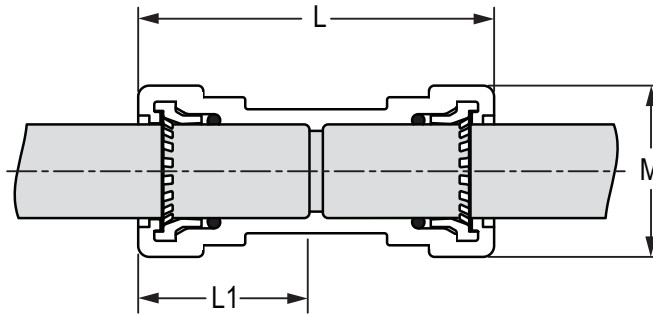
Repair of Damaged Pipe.
(Repair Coupling Must be Thrust Blocked)

Progressive Products From Spears® Innovation & Technology

GripLoc™ Push-On Couplings - LEAD FREE

EPDM O-ring
 Sizes 1/2" - 2"

Pressure Rating
 235 PSI @ 73 °F



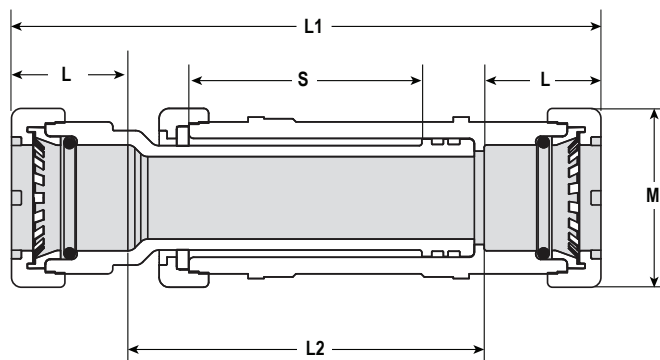
| Part Number | | | Size | L | L1 | M | Approx. Wt. (Lbs.) |
|-------------|------------|------------|-------|---------|---------|---------|--------------------|
| PVC White | PVC Gray | CPVC | | | | | |
| GL429-005 | GL429-005G | GL429-005C | 1/2 | 3-13/16 | 1-27/32 | 1-5/8 | .18 |
| GL429-007 | GL429-007G | GL429-007C | 3/4 | 4 | 1-15/16 | 1-15/16 | .19 |
| GL429-010 | GL429-010G | GL429-010C | 1 | 4-1/8 | 2 | 2-1/4 | .34 |
| GL429-012 | GL429-012G | GL429-012C | 1-1/4 | 4-3/16 | 2-1/32 | 2-5/8 | .43 |
| GL429-015 | GL429-015G | GL429-015C | 1-1/2 | 4-1/4 | 2-1/16 | 3 | .55 |
| GL429-020 | GL429-020G | GL429-020C | 2 | 4-7/16 | 2-5/32 | 3-7/16 | .69 |

WARNING: DO NOT INSERT FINGERS

GripLoc™ Push-On Repair Couplings - LEAD FREE

EPDM O-ring
 Size 1"

Pressure Rating
 235 PSI @ 73 °F



| Part Number | | | Size | L | L1 | L2 | M | S | Approx. Wt. (Lbs.) |
|-------------|-----------|-----------|------|---------|--------|-------|-------|---------|--------------------|
| PVC White | PVC Gray | CPVC | | | | | | | |
| SG118-10 | SG118-10G | SG118-10C | 1 | 1-15/32 | 7-7/16 | 4-1/2 | 2-1/4 | 2-15/16 | .69 |

WARNING: DO NOT INSERT FINGERS

ENSURE THAT PIPE AND FITTINGS ARE FREE OF DIRT AND DEBRIS PRIOR TO INSTALLATION.



SPEARS® MANUFACTURING COMPANY
 CORPORATE OFFICE

15853 Olden St., Sylmar, CA 91342 • PO Box 9203, Sylmar, CA 91392
 (818) 364-1611 • www.spearsmfg.com

